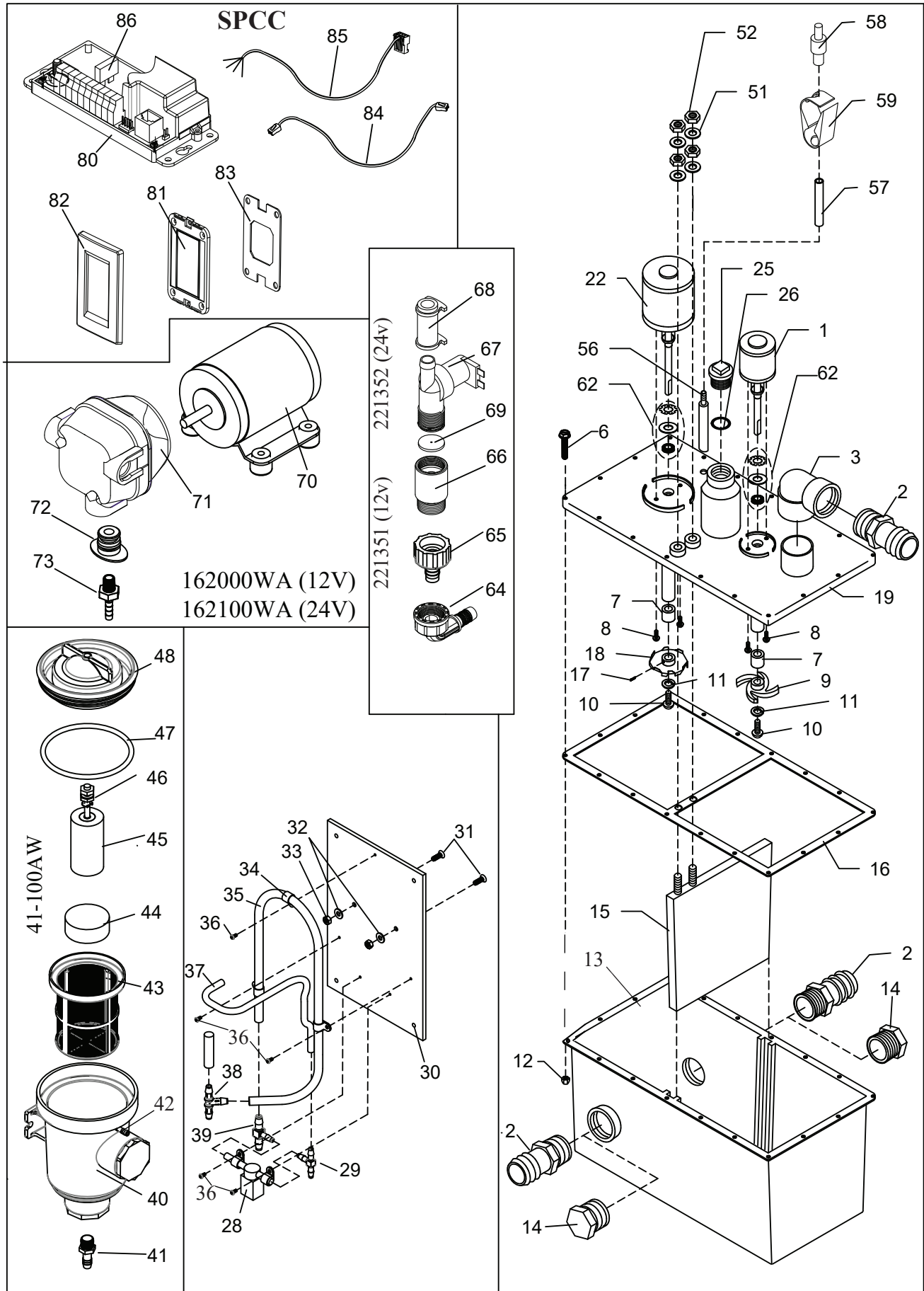


PURASAN® EX2 EXPLODED VIEW

EXPLODED PARTS



PURASAN® EX2 PARTS LIST

EXPLODED PARTS

Item	Part #	Description
1	32-102AW	Mixer Motor 2 1/2" Dia. 12 V DC
1	33-102AW	Mixer Motor 2 1/2" Dia. 24 VDC
		(1) includes shaft seals and bushing for mixer motor)
2	31-121	Hose Fitting (2)
3	31-120	Discharge Elbow 90°
6	31-134	Cover Hold down Bolt, 10-32 x 1" (18)
7	31-103	Motor Shaft Bushing (2) (see 62)
8	F351	Motor Hold down Bolt, 10-32x1", S/S (4)
9	31-109	Mixer Impeller
10	31-110-1	Impeller Bolt, 12-24 x 5/8", S/S (2)
11	31-110-2	Impeller Lock Washer, #12, S/S (2)
12	31-114	Lock Nut, 10-32 (18)
13	31-115PS	Treatment Tank
14	31-122	Intake Plug
15	41-102	Tank Divider
16	31-112	Cover Gasket
17	31-108	Macerator Set Screw
18	31-107	Macerator Impeller
19	41-101W	Treatment Cover (includes 56, 25,26)
22	33-101AW	Macerator Motor for 12 and 24 VDC unit
25	31-104CW	Crossover Plug with O-ring (Includes 31-105)
26	31-105	O-Ring
51	M31	#14 Brass Flat Washer (4)
52	M30	1/4"-20 Brass Nut (4)
56	31-325A	Tank Lid Adapter
57	221335	Tubing
58	41-170	Tank check valve
59	31-304C	Tubing clamp

TABLET DISPENSER MOUNT ASSEMBLY:

42-100 (12 V) / 43-100 (24V)

27	HW1	1/4 Split Lock Washer S/S
28	41-107-12W	Air vent valve with connector (1)
29	41-112	1/4" Tee Connector (1)
30	41-116P	Dispenser mounting plate (1)
31	F121	1/4-20 X 3/4 Screw (2)
32	F321	1/4" Flat washer (2)
33	1226B	1/4-20 Nut (2)
34	31-111	Cable Clamp 1/2" X 1/2" (5)
35	31-319	3/8" PVC Tubing (1-30" L, 1-2" L)
36	F123	#8 x 5/16 Mounting Screw (5)
37	31-305	1/4" Tubing (1)
38	41-108	3/8" Tee Connector (1)

WATER VALVE:

64	221358W	Inlet hose adapter - 90°
65	221356W	Inlet hose adapter - straight
66	PX50W	Double Check Valve assembly
67	221351	Water Solenoid 12V
67	221352	Water Solenoid 24V
68	221335	1/2" Tubing
69	41-157	Metering washer

AIR PUMP FOR TABLET DISPENSER:

162000WA (12V) / 162100WA (24V)

70	166012A	12 Volt Motor
	166024A	24 Volt Motor
71	162000W	Intake Pump Assembly,air pump
72	162415A	Plug machined
73	41-120	Male Pipe Adapter
39	41-113	3/8" x 1/4" Incline Tee (1)

TABLET DISPENSER, COMPLETE

41-100AW

40	41-130A	Dispenser Body.
41	41-177	Adapter 1/2" NPT x 1/2" barb
42	41-188	Dispenser Nipple
43	41-156W	Dispenser Basket
44	41-135A	Purasan® Tablets (sold separately)
45	41-179	Float extension (foam)
46	41-178W	Float sensor
47	RWS5A	O-Ring
48	41-131M	Dispenser Cap (machined)

Not Shown:

41-114	1/8" PVC Tubing (1)
41-146	Hose Clamp 1/4" (5)
41-147	Hose Clamp 3/8" (3)
41-188	Dispenser Nipple (1)

CONTROLS:

42-600A (12V) / 43-600A (24V)

80	SPCC	Purasan® Control
81	41-500A	Wall Panel circuit board
82	221524	Wall Panel cover, white
83	221525	Wall Panel gasket
84	31-618	Cable for SPC wall panel
85	41-505A	Cable for Float Sensor
86	EFC10	ATC fuse 10A

62 ESTRK

EST/PST Repair Kit includes following:

31-102	Motor Shaft Seal (2)
31-102-1	Macerator Seal Washer
31-102-2	Macerator Retaining Ring
31-102-3	Mixer Seal Washer
31-102-4	Mixer Retaining Ring
31-103	Motor Shaft Bushing (2)
31-105	O-Ring
F351	10-32x7/8" w/ O-ring (4)
31-112	Cover Gasket
31-113-2	Terminal Block Bolt (4)
31-114	Lock Nut, 10-32 (4)
SL1CC	Super Lube

OTHER (Not shown)

41-135A	Purasan® Tablets (Refill)
42-1000A	Treatment Unit 12V
43-1000A	Treatment Unit 24V
PSTDCEX	Purasan® Dual Control
DIAPUMPRK	Diaphragm Pump Repair Kit