

SMART TOILET CONTROL

Installation and Maintenance Instructions

Part# STC

THE FOLLOWING ARE CAUTIONARY STATEMENTS THAT MUST BE READ AND FOLLOWED DURING BOTH INSTALLATION AND OPERATION.

WARNING:



Raritan Engineering Company, Inc. recommends that a qualified person or electrician install this product. Equipment damage, injury to personnel or death could result from improper installation. Raritan Engineering Company, Inc. accepts no responsibility or liability for damage to equipment, injury or death to personnel that may result from improper installation or operation of this product.

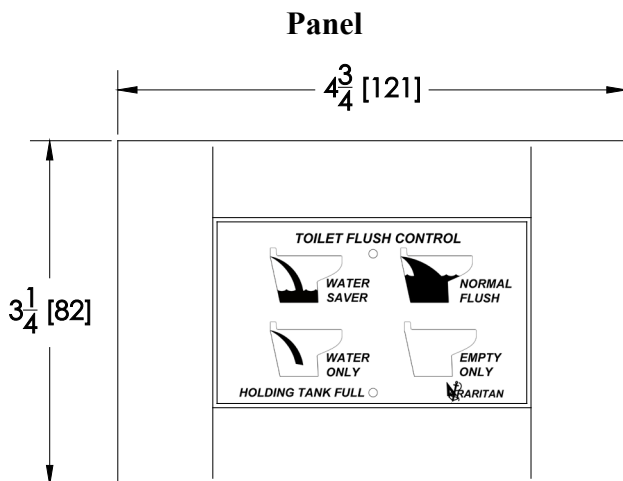
WARNING: HAZARD OF SHOCK OR FIRE



Always use recommended fuse, circuit breaker and wire size.

Motors used with this product are “Ignition Protected”. They are not however, explosion-proof.

DO NOT run continuously for more than 30 seconds.



Description:

Smart Toilet Control (STC) is a controller for flushing toilet to optimize water use without compromising the quality of flush. Control consists of a controller, panel and 7' of cable. Contact Raritan for information about our optional “Holding Tank Full” sensor.

WATER SAVER



Timed Flush

NORMAL FLUSH



Timed Flush

WATER ONLY

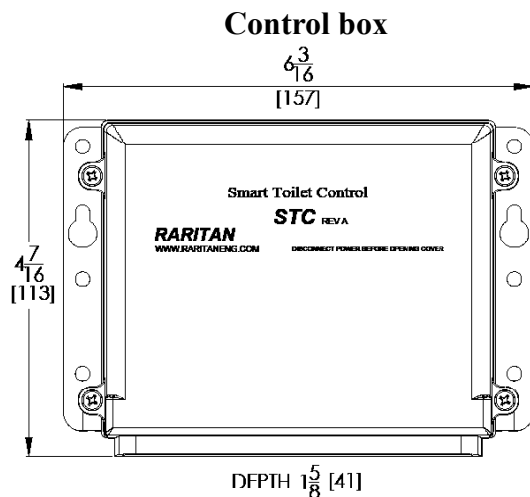


Adds Water to Toilet

EMPTY ONLY



Empties Toilet



Smart Toilet Control starts a flush when **NORMAL FLUSH** or **WATER SAVER** buttons are pressed.

WATER ONLY button brings inlet water to the bowl when pressed and **EMPTY ONLY** button empties the bowl. Both **WATER ONLY** and **EMPTY ONLY** buttons have a time limit of eight seconds.

Flush timing of initial fill, discharge and final fill are fully programmable from the panel.

If wired, the panel also shows holding tank full status.

When holding tank full LED is lit, normal and water saver button are disabled. Water only and empty button continue to function.

Control is reverse polarity protected. In case of reverse polarity, motors and solenoid will activate as soon as power is connected. After reverse polarity is corrected (within 10 minutes), unit will work as normal.

IMPORTANT: For most installation factory settings will work without making any changes to timing. To make changes to timing or after installation to optimize the flushing, follow guidelines below.

Smart Toilet Control

IMPORTANT: Discharge and Inlet Pump / Valve MUST BE wired for proper operation and programming.

1. WATER SAVER

Press to start water saver cycle. If Holding Tank Full LED is on, this button does not work. This cycle has only one cycle of inlet and discharge to clear liquid waste. Last fill is to retain water in the bowl for next use. This button is disabled if Holding Tank Full LED is on.

NOTE: Holding Tank Full light will only illuminate if the tank sensor has been added to the control.

2. NORMAL FLUSH

Press to start timed flushing cycle. If Holding Tank Full LED is on, this button is disabled. There are three cycles of inlet and discharge. First cycle removes most of the waste. Second cycle removes remaining waste if any left after first cycle. Third cycle clears all discharge housing and lines with clean water. Last fill is to retain water in the bowl for next use. This button is disabled if Holding Tank Full LED is on.

3. WATER ONLY

Press to add water in the bowl. Inlet water solenoid/pump runs as long as button is pressed with an eight second limit. After limit is reached, this button is disabled to prevent overflow of the bowl. To enable again, EMPTY ONLY button must be pressed. If Holding Tank Full LED is on, this button still works.

4. EMPTY ONLY

Press to evacuate the bowl. Discharge pump runs as long as this button is held with an eight second limit. If holding tank full LED is on this button still works.

Programming of Toilet Flush Control

The Raritan Smart Toilet Control offers two different flush modes to choose from:

Sequential Flush: In this mode, the toilet will add water and discharge waste separately. This fill/empty cycle will repeat once in WATER SAVER and three times during the NORMAL FLUSH cycle. At the end of this sequence cycle, a short pause will be followed by a final fill to leave water remaining in the bowl.

This mode is designed to provide the most efficient flush possible while using the least amount of water. It keeps the discharge pump flooded while providing powerful suction to remove waste from the bowl.

NOTE: All toilets as shipped from factory are set to the Sequential mode.

Continuous Flush: In this mode, the toilet will add water to wet the bowl first and then follow with the inlet and discharge motors flushing together for the remainder of the cycle. At the end of this continuous cycle, a short pause will be followed by a final fill to leave water in the bowl.

This mode may be more suitable for installations in which a continuous flow of water is desired and water use is not as great a concern.

NOTE: If saving time settings fail, try programming it at a quicker pace.

Changing flush mode from Sequential to Continuous and vice versa:

1. Hold the WATER ONLY and EMPTY ONLY buttons down together for three seconds. The Holding Tank Full LED will flash THREE times indicating you have entered program mode.
2. Push the WATER SAVER button once.
3. Push the EMPTY ONLY button. Flush mode will switch from Sequential to Continuous or vice versa. The Holding Tank Full LED will flash THREE times indication you have left program mode.

Programming your Smart Toilet Control:

The Raritan Smart Toilet Control is factory set to work in most installations and no programming is required. The following instructions can be used to modify timings if desired:

All flush cycles have an initial fill time (T1), Discharge/Empty time (T2) and water retention fill time (T3).

Factory default settings for the NORMAL FLUSH are as follows:

Sequential mode: T1= 3 sec, T2= 3 sec, T3= 2 sec

Continuous mode: T1= 3 sec, T2= 12 sec, T3= 2 sec

Step 1 - Entering program mode:

Hold the WATER ONLY and EMPTY ONLY buttons down together for 3 seconds. The Holding Tank Full LED will flash THREE times indicating you have entered program mode-release both button.

Setting T1 initial fill time:

After entering program mode (Step 1 above) push the NORMAL FLUSH button once. Continue to press the NORMAL FLUSH button equivalent to the number seconds you wish water to enter the bowl: (one push= 1 second, 2 pushes= 2 seconds, etc.). The Tank LED will flash after each valid key push. The maximum inlet time is 20 seconds. When finished, push the EMPTY ONLY button to store this value and exit. The Holding Tank Full LED will flash THREE times indicating you have left program mode.

Setting T2 Discharge Pump Time:

After entering program mode (Step 1 above) push the EMPTY ONLY button once. Continue to press EMPTY ONLY button equivalent to the number of seconds you wish water to exit the bowl: (one push= 1 second, 2 pushes= 2 seconds, etc.). The Tank LED will flash after each valid key push. The maximum empty time is 20 seconds. When finished, push the NORMAL FLUSH button to store this value and exit. The Holding Tank Full LED will flash THREE times indicating you have left program mode.

NOTE: When in Continuous mode, the WATER SAVER empty time will operate at half of the NORMAL FLUSH time setting (Wall switch models only).

Setting T3 Water Retention Fill Time:

After placing the unit in program mode (step 1) push the WATER ONLY button once. Continue to press the WATER ONLY button as follows to leave water standing in the bowl: (1 push= ZERO seconds, 3 pushes= 2 seconds, 4 pushes= 3 seconds, etc).

The Tank LED will flash once indicating a valid key push. The maximum water retention time is 10 seconds. When finished, push the NORMAL FLUSH button to store this value and exit. The Holding Tank Full LED will flash THREE times indication you have left program mode.

Disabling the WATER ONLY and EMPTY ONLY buttons (Wall switch model only):

When in the factory default mode, both the WATER ONLY and EMPTY ONLY buttons will only operate for maximum of eight seconds. The procedure below will disable these buttons completely if desired:

1. Hold the WATER ONLY and EMPTY ONLY buttons down together for 3 seconds. The Holding Tank Full LED will flash THREE times indicating you have entered program mode.
2. Push the WATER SAVER button. This will disable/enable this feature.
3. Push the WATER ONLY button. The Holding Tank Full LED will flash THREE times indicating you have left program mode.

Repeat steps 1 to 3 to re-enable these buttons.

Extending pause for water retention:

Some installations may require adjustment if water siphons out of the bowl after the flush cycle is complete. This adjustment will increase the pause time between the final empty time and the water retention fill time. The factory set pause is for 2 seconds, but can be changed to 10 seconds by following the procedure below:

1. Hold the WATER ONLY and EMPTY ONLY buttons down together for 3 seconds. The Holding Tank Full LED will flash THREE times indicating you have entered program mode.
2. Push the WATER SAVER button. This will disable/enable the 10 second pause mode.
3. Push the WATER SAVER button again to exit program mode. The Holding Tank Full LED will flash THREE times indicating you have left program mode.

Repeat steps 1 to 3 to re-enable change between pause modes.

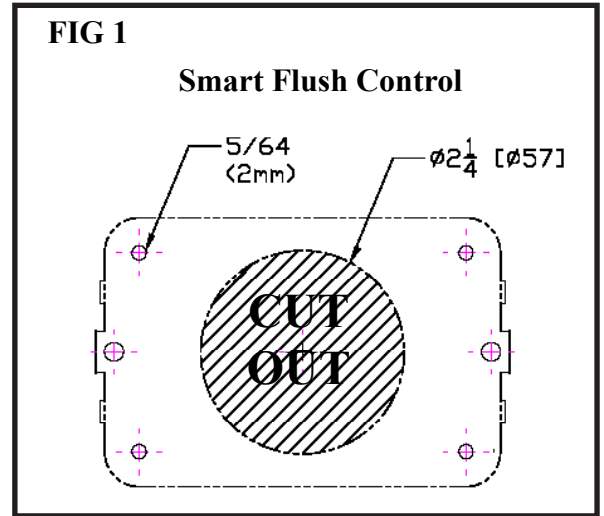
Mounting Control Panel:

Smart Toilet Control Panel:

1. Cut out a hole per FIG 1, mark mounting holes using wall plate as guide.
2. Route wire to the toilet and control.
3. Secure control using mounting screws

Smart Toilet Control Box:

1. Locate box near toilet in a dry and accessible area.
2. Using two screws, fasten the control to wall with connectors at the bottom.
3. Open cover to access wiring connector.
4. Choose one of the wiring diagrams (FIG 2, 3, 4, 5 or 6) to route all wires.
5. Replace cover.



Observation or Issue	Action
Water does not empty all the way in the first cycle	Increase discharge timing (T2)
Water empties, but discharge pump runs more than a second after all water is gone in first cycle	Decrease discharge time (T2)
Solids and toilet paper remain in the bowl after first cycle	Increase initial fill time (T1)
Water level is too high after initial fill cycle	Reduce water retention time (T3)
There is no water or little water left in the bowl	Increase water retention time (T3)
Water siphons out after 10 or 15 minutes from the bowl	Enable longer pause before retention fill

WIRING:

NOTES: for Wiring

1. Distances are from source to unit and back to source.
2. Distance from power source to remote intake pump MUST be included when determining total distance.
3. Recommended conductor wire minimum AWG (mm²) for 3% voltage drop.
4. Recommended conductor sizes are based on 105°C rated insulation. Single conductor (not bundled), refer to ABYC Standards for sizes with other insulation ratings.
5. For 120/240 VAC units, use 12VDC specifications from transformer to unit.

CONVERSIONS
Wire - AWG to mm²

AWG	16	14	12	10	8	6	4	2
mm²	1.5	2.5	4.0	6.0	10.0	16.0	25.0	35.0

Feet to Meters

Feet	10	15	20	25	30	40	50
Meter	3.1	4.6	6.1	7.6	9.2	12.2	15.2

Recommended Wire and Fuse/Circuit Breaker Sizes

ATLANTES FREEDOM VORTEX VAC AND MARINE ELEGANCE

Table 1-Raw Water Model

(sizes based on both remote intake and discharge pumps amps added together)

Units Voltage	Circuit Breaker/ fuse size (amps)	Toilet Discharge Pump Amp draw	Remote Intake Pump Amp draw	10 feet	15 feet	20 feet	30 feet	40 feet	50 feet
12 VDC	30	18	10	10 AWG	8 AWG	6 AWG	4 AWG	4 AWG	2 AWG
24 VDC	20	10	5	16 AWG	14 AWG	12 AWG	10 AWG	10 AWG	8 AWG

Table 2- Pressurized Fresh Water Model

Units Voltage	Circuit Breaker/fuse size (amps)	Amp draw	10 feet	15 feet	20 feet	30 feet	40 feet	50 feet
12 VDC	25	18	10 AWG	10 AWG	8 AWG	6 AWG	6 AWG	4 AWG
24 VDC	15	10	16 AWG	16 AWG	14 AWG	12 AWG	10 AWG	10 AWG

SEAERA QC MODEL 162

Table 3- Raw Water Model

(sizes based on both remote intake and discharge pumps amps added together)

Units Voltage	Circuit Breaker/ fuse size (amps)	Toilet Discharge Pump Amp draw	Remote Intake Pump Amp draw	10 feet	15 feet	20 feet	30 feet	40 feet	50 feet
12 VDC	25	13	10	10 AWG	8 AWG	6 AWG	6 AWG	4 AWG	4 AWG
24VDC	15	7.5	5	16 AWG	14 AWG	12 AWG	10 AWG	10 AWG	8 AWG

Table 4- Pressurized Fresh Water Model

Units Voltage	Circuit Breaker/fuse size (amps)	Amp draw	10 feet	15 feet	20 feet	30 feet	40 feet	50 feet
12 VDC	25	13	12 AWG	10 AWG	10 AWG	8 AWG	6 AWG	6 AWG
24 VDC	15	7.5	16 AWG	16 AWG	14 AWG	12 AWG	10 AWG	10 AWG

Table 5 - Remote Intake Pump Only (Raw Water and Seafresh Models)

Units Voltage	Circuit Breaker/fuse size (amps)	Amp draw	10 feet	15 feet	20 feet	30 feet	40 feet	50 feet
12 VDC	15	10	14 AWG	12 AWG	10 AWG	10 AWG	8 AWG	6 AWG
24 VDC	10	5	16 AWG	16 AWG	16 AWG	16 AWG	14 AWG	12 AWG

WIRING

WARNING: Hazard of Shock and Fire

- Always use proper wire, wire connectors and fuse/circuit breaker. See Specification Chart.
- Secure wire properly.
- Do not connect appliances to toilet circuit.
- Make sure power is off before proceeding.
- Use proper wire terminals for all wire connections.

1. Determine proper wire size by measuring distance from:
 - Power Source to control box and back to power source.
 - Remote pump units -determine proper wire size for remote pump from wiring diagram.
2. Select proper wire and fuse/circuit breaker size from Specifications on Table 1.
3. Install fuse/circuit breaker in positive line at source.
4. Wire control to the toilet and battery using one of the following wiring diagrams.

IMPORTANT: Discharge and Inlet Pump / Valve MUST BE wired for proper operation and programming

MSD OPERATION

- To start Electrosan or Purasan EX from Smart Toilet Control(STC), wire per Fig 6.
- To start/flush toilet by activating the Electrosan or Purasan EX, wire per Fig 7.

For Lectra/San MC, EC or Purasan call Raritan Customer Service

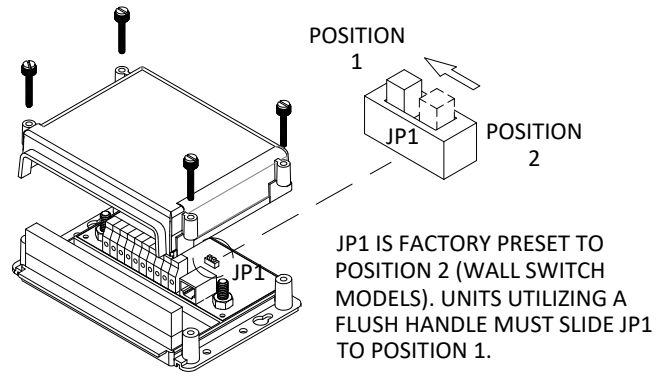


FIG 2

WIRING FOR FLUSH CONTROL PRESSURIZED FRESH WATER MODELS

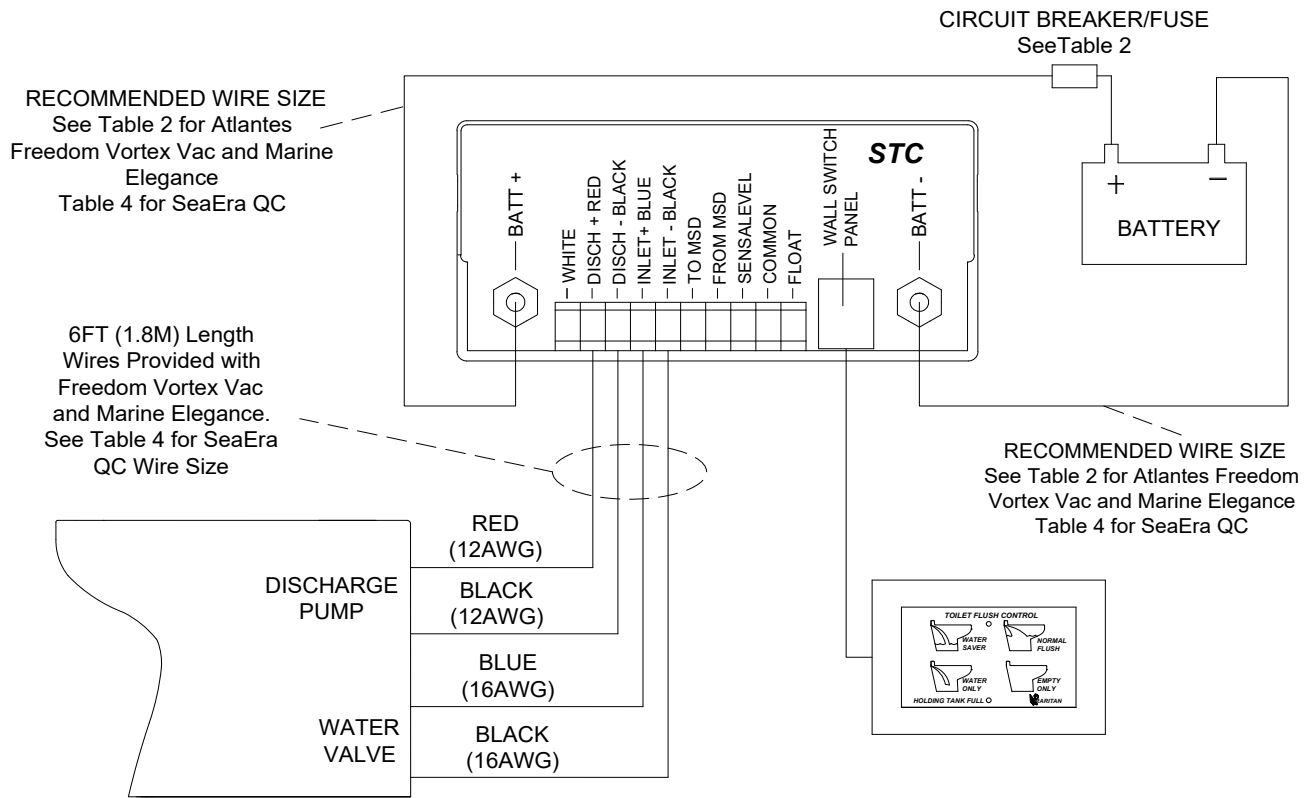


FIG 3

**WIRING FOR SMART TOILET CONTROL
REMOTE PUMP MODELS**

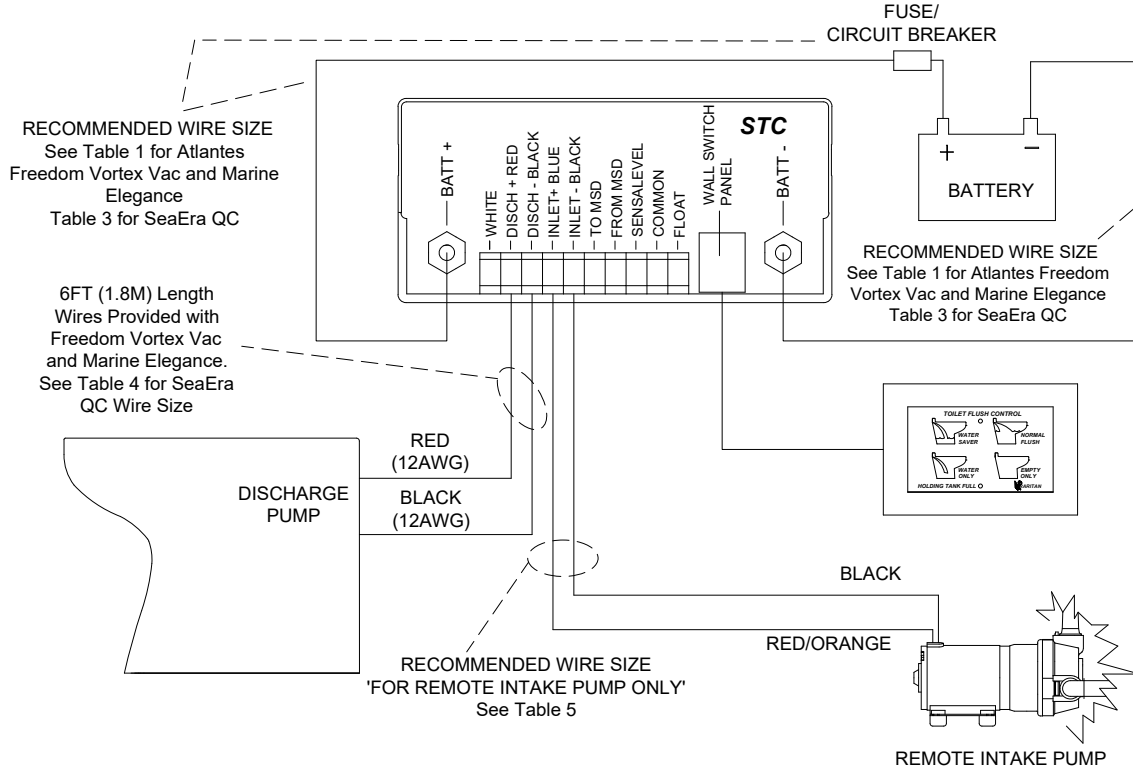
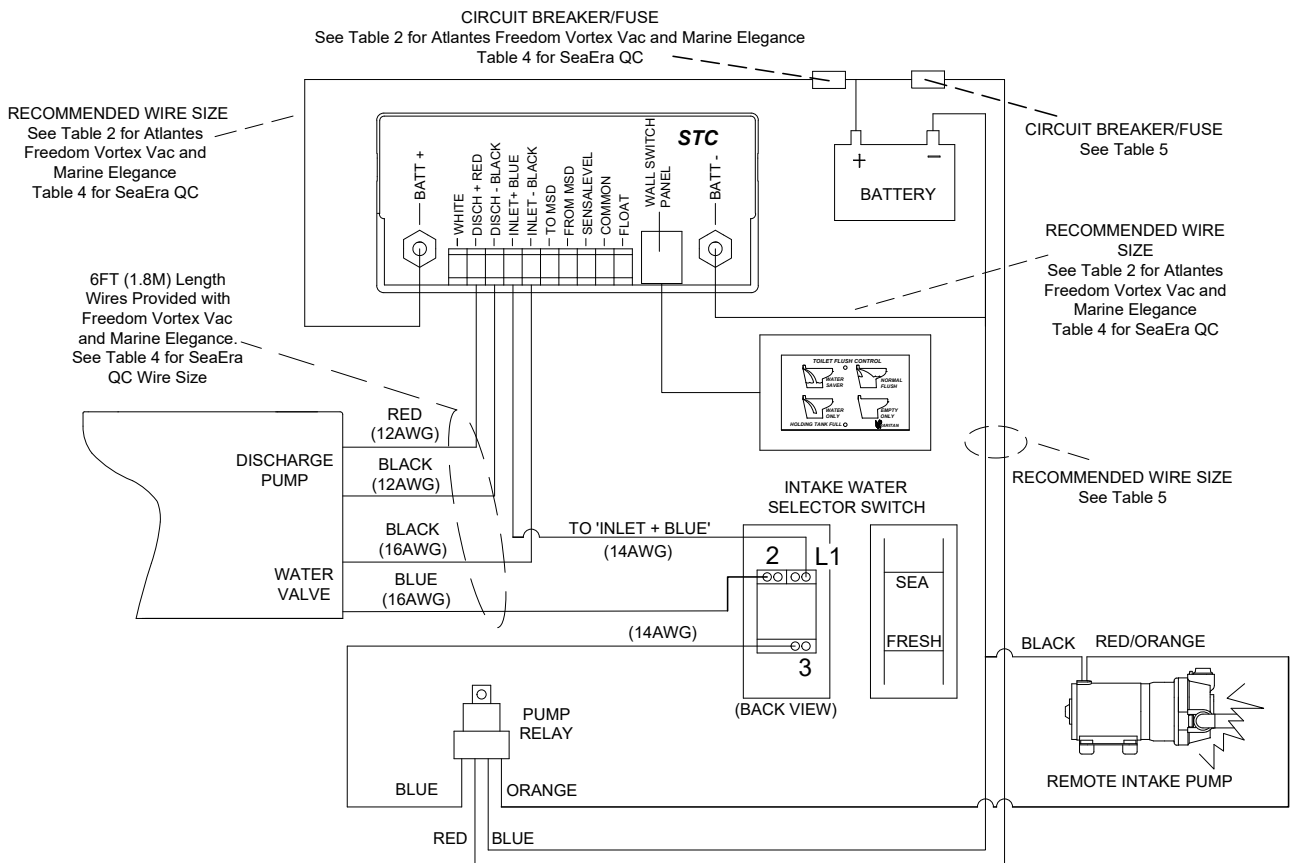
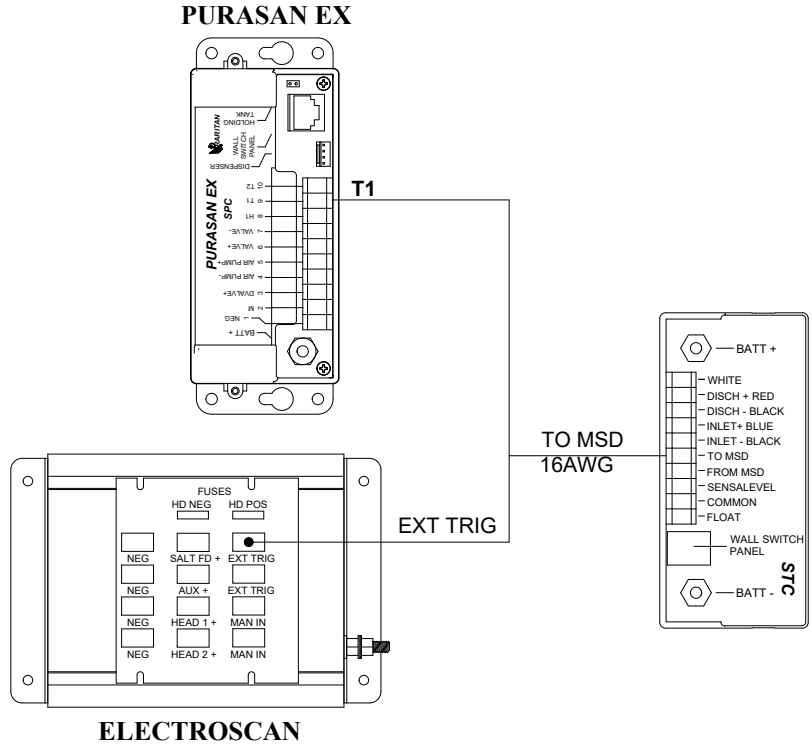


FIG 4

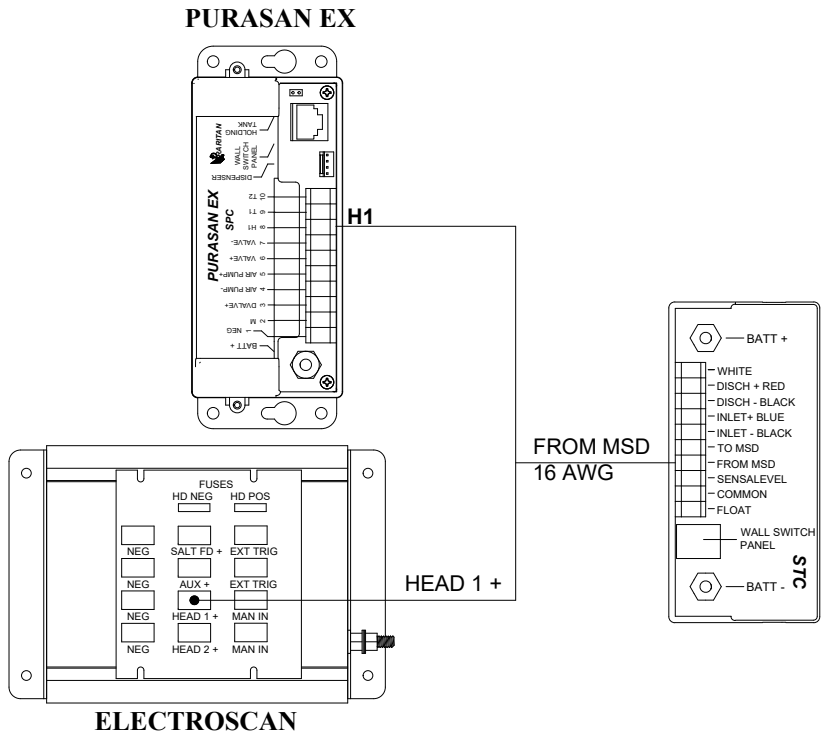
**WIRING FOR SMART TOILET CONTROL
SEA/FRESH MODELS**



**FIG 5
WIRING FOR SMART TOILET CONTROL: TOILET CONTROL ACTIVATES MSD**



**FIG 6
WIRING FOR SMART TOILET CONTROL: MSD CONTROL ACTIVATES TOILET**



**FOR LIMITED WARRANTY TERMS AND CONDITION
PLEASE REFER TO TOILET MANUAL**

530 Orange Street, Millville, NJ
08332 USA

Telephone: 856-825-4900
FAX: 856-825-4409
www.raritaneng.com

