

SEA FRESH SYSTEM

*Marine Elegance, Atlantes Freedom with Vortex-Vac,
and Sea Era QC*

INSTALLATION AND OPERATION ADDENDUM



WARNING: These instructions are supplemental to the Marine Elegance, Atlantes Freedom with Vortex-Vac and SeaEra QC Installation, Operation and Maintenance Instructions. All applicable warnings, cautionary statements and instructions must be followed.

INTRODUCTION

The Sea Fresh System allows, at the “flip of a switch”, the choice of using either pressurized freshwater or sea water for flushing the toilet.

OPERATION

Simply place *intake water selection switch* in desired position and flush toilet.

To use sea/lake water for flushing; place *intake water selection switch* in **SEA** position.

To use pressurized freshwater for flushing; place *intake water selection switch* in **FRESH** position.

For specific instructions on flushing toilet see OPERATION section of toilets control manual.

PLUMBING

WARNING

- **Hazard of Flooding:** Refer to Plumbing Section of Installation and Maintenance Instructions for Toilet.
- **To prevent contamination of potable water supply, all components must be installed as outlined in these instructions and the toilets instructions.**

IMPORTANT

TIP: To reduce odors and maintenance, installation of a strainer (such as In-Line Strainer [#163000]) in the seawater intake line is recommended.

Refer to appropriate Toilet Water Connection Diagram for connecting Pressurized Water source and Intake Pump to Toilet. (Fig 2, Fig 3, Fig 4 or Fig 5)

MOUNTING

- **Refer to Installation Section of Installation and Maintenance Instructions for Toilet.**
- 1. Mount Intake Pump and Relay to deck or bulkhead. Mount Pump Relay near Intake Pump.

Intake Water Selection Switch

Width
1.5" (38) Inch (mm)



Height 3" (76)

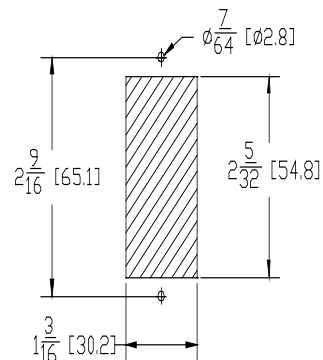
Depth 1.5" (38)

Intake Water Selection Switch

1. Cut out a rectangle hole in location where switch will be installed, using sizes provided in Fig 1.

TIP: It may be desirable to locate Intake Water Selection Switch where it is not readily accessible to anyone who flushes the toilet.

Fig 1 Selector switch cutout sizes inches(mm)



Do not use as template

ELECTRICAL

WARNING: Hazard of electrical shock and burn. Be certain that electrical power is off before proceeding.

WIRING

- **Refer to respective Toilet Control installation and wiring instructions for proper wiring and wire sizes. Contact Raritan Customer Service if you no longer have the Toilet Control manual.**

Fig 2 Atlantes Freedom Water Connections Dual Coil Intake Valve

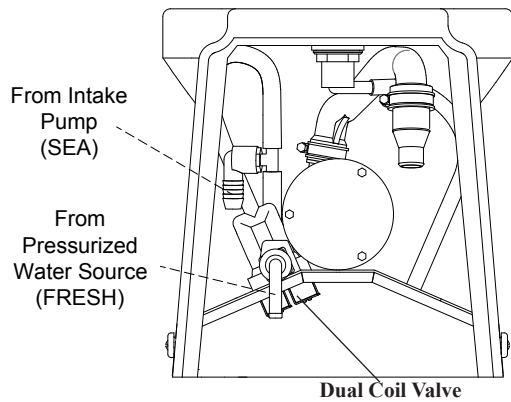


Fig 3 Marine Elegance Water Connections

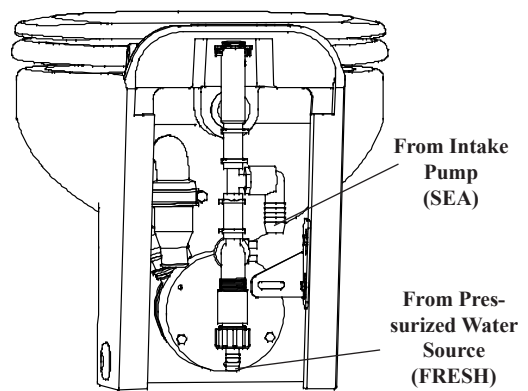


Fig 4 Atlantes Freedom Water Connections Single Coil Valve

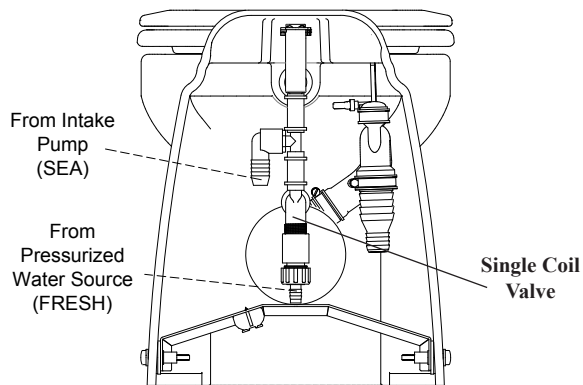


Fig 5 SeaEra QC Water Connections

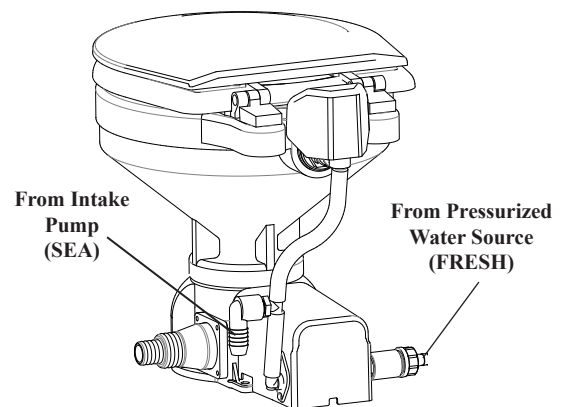


Fig 6 Sample Plumbing Diagram for Below Waterline Installations

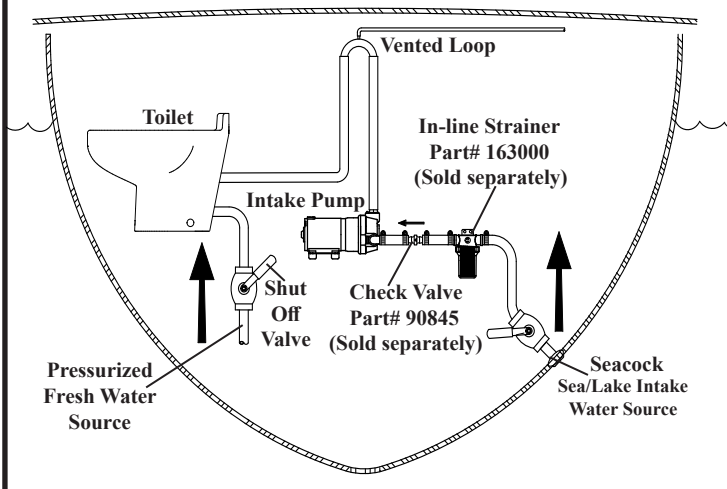
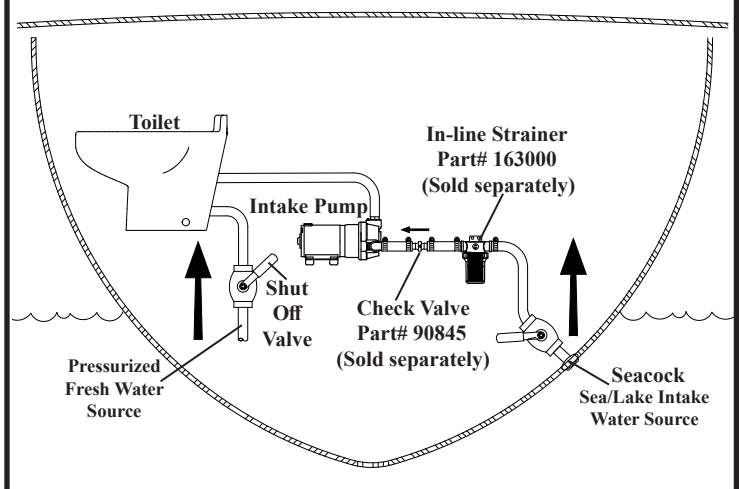


Fig 7 Sample Plumbing Diagram for Above Waterline Installations



530 Orange Street, Millville, NJ 08332 USA
 Telephone: 856-825-4900 FAX: 856-825-4409
 www.raritaneng.com