

SEA/FRESH SYSTEM

Marine Elegance, Atlantes Freedom with Vortex-Vac, and Sea Era QC

INSTALLATION AND OPERATION INSTRUCTIONS



WARNING: These instructions are supplemental to the Marine Elegance, Atlantes Freedom with Vortex-Vac and SeaEra QC Installation, Operation and Maintenance Instructions. All applicable warnings, cautionary statements and instructions must be followed.

INTRODUCTION

The Sea/Fresh System allows, at the “flip of a switch”, the choice of using either pressurized fresh water or raw/sea water for flushing the toilet.

OPERATION

Simply place *intake water selection switch* in desired position and flush toilet.

To use raw/sea/lake water for flushing; place *intake water selection switch* in **SEA** position.

To use pressurized freshwater for flushing; place *intake water selection switch* in **FRESH** position.

For specific instructions on flushing toilet see OPERATION section of toilets flush control manual.

PLUMBING

WARNING

- **Hazard of Flooding:** Refer to Plumbing Section of Installation and Maintenance Instructions for Toilet.
- To prevent contamination of potable water supply, all components must be installed as outlined in these instructions and the toilets instructions.

IMPORTANT

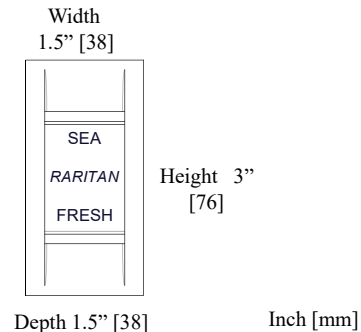
TIP: To reduce odors and maintenance, installation of a strainer (such as In-Line Strainer, part 163000) in the raw water intake line is recommended.

Refer to appropriate Toilet Water Connection Diagram for connecting Pressurized Water source and Intake Pump to Toilet. (FIG 2, FIG 3, FIG 4 or FIG 5)

MOUNTING

- Refer to Installation Section of Installation and Maintenance Instructions for Toilet.
1. Mount Intake Pump and Relay to deck or bulkhead. Mount Pump Relay near Intake Pump.

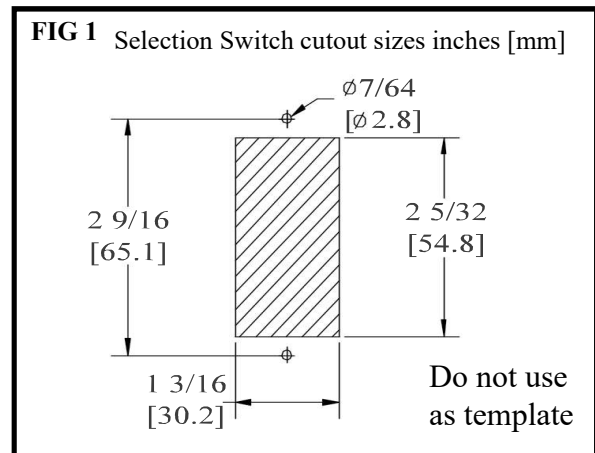
Intake Water Selection Switch



Intake Water Selection Switch

1. Cut out a rectangle hole in location where switch will be mounted (FIG 1).

TIP: It may be desirable to locate Intake Water Selection Switch where it is not readily accessible to everyone who flushes the toilet.



ELECTRICAL

WARNING: Hazard of electrical shock and burn. Be certain that electrical power is off before proceeding.

WIRING

Refer to respective Toilet Flush Control installation and wiring instructions for proper wiring and wire sizes. Contact Raritan Customer Service if you no longer have the Toilet Control manual.

FIG 2 Atlantes Freedom Water Connections Dual Coil Intake Valve

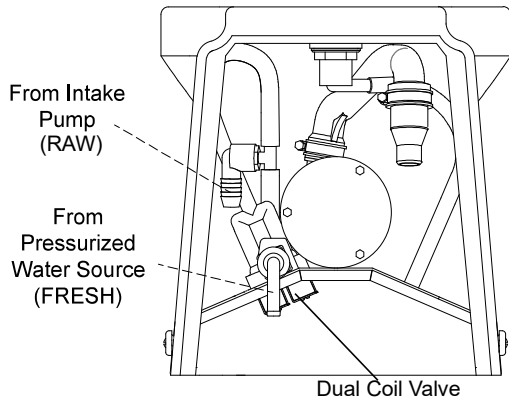


FIG 3 Marine Elegance Water Connections

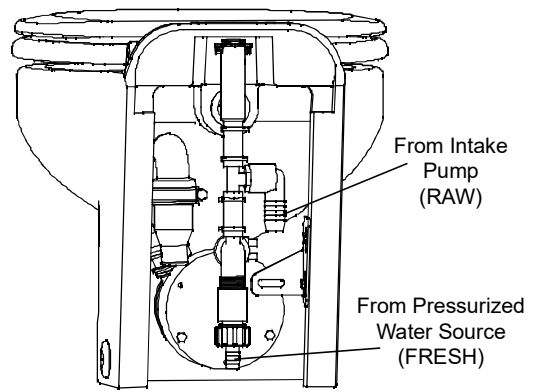


FIG 4 Atlantes Freedom Water Connections Single Coil Valve

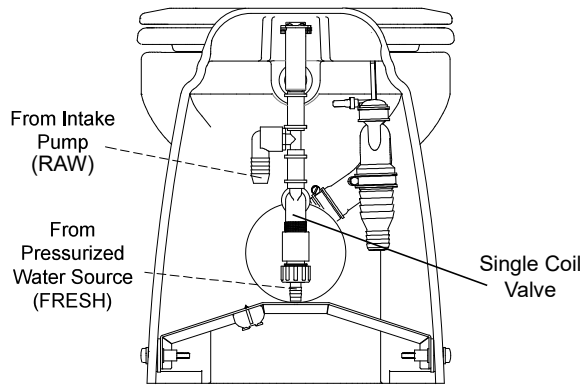


FIG 5 SeaEra QC Water Connections

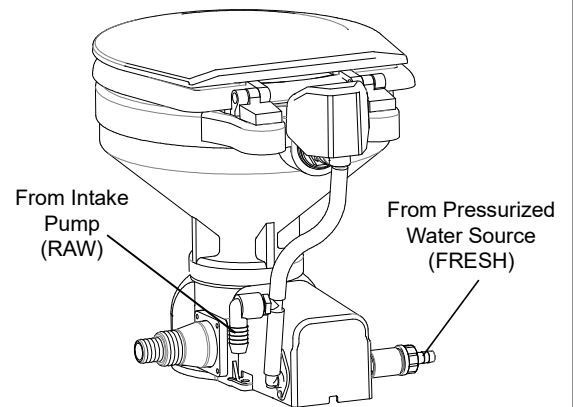


FIG 6 Sample Plumbing Diagram for Below Waterline Installations

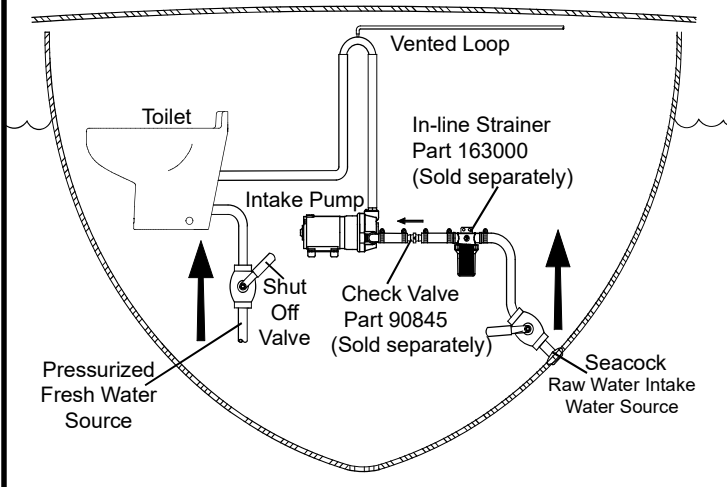
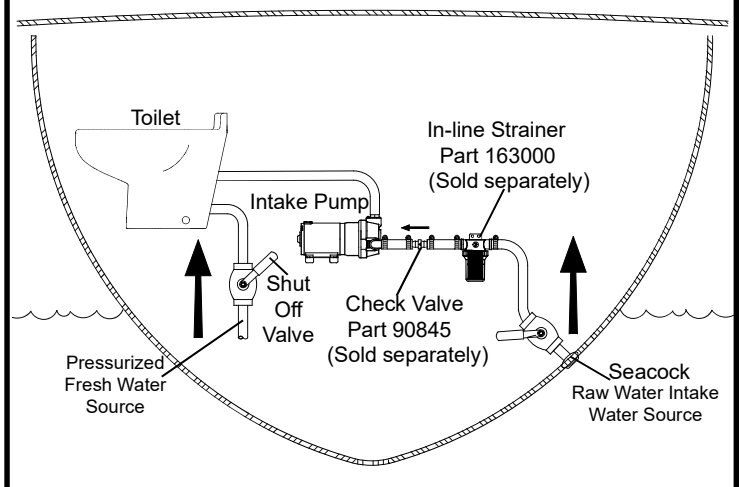


FIG 7 Sample Plumbing Diagram for Above Waterline Installations



530 Orange Street, Millville, NJ 08332 USA
 Telephone: 856-825-4900 FAX: 856-825-4409
 www.raritaneng.com