



FRESH HEAD

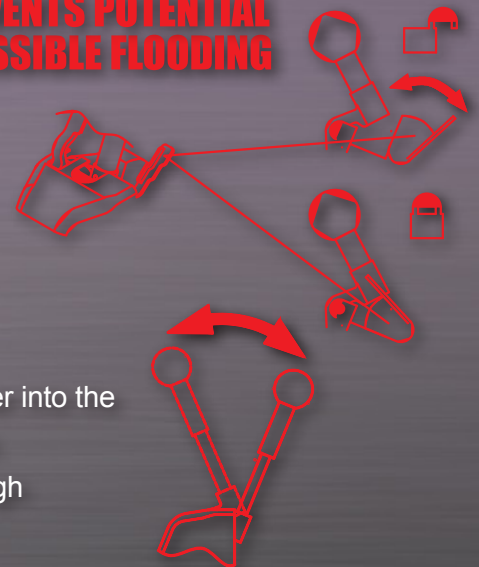
TIRED OF ROTTEN EGG SMELL OR USING YOUR SHOWER HEAD TO FLUSH THE TOILET?

- *The first manual marine toilet to utilize pressurized fresh water – eliminates calcium deposits in discharge hose*
- *Footprint is a direct replacement for competitive models*
- *No Thru Hulls necessary when installed with a holding tank*
- *Low water use toilet*
- *Available as Left hand side pump.*
- *PHII toilets can be retrofitted by purchasing the retro-fit pump.*

With a diaphragm type pump and telescopic handle, flushing is extremely easy. Owners choose how much water to use. A lever allows water into the bowl to pre-wet it for a better flush. A built-in freshwater backflow prevention includes a vacuum break. A lock-out feature stops backflow coming in through the discharge when not in use.



LOCK FEATURE PREVENTS POTENTIAL BACKFLOW AND POSSIBLE FLOODING

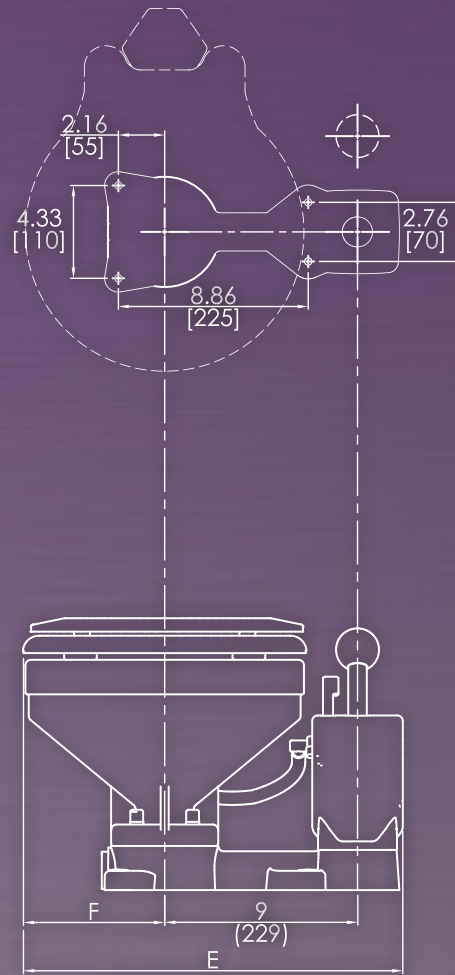
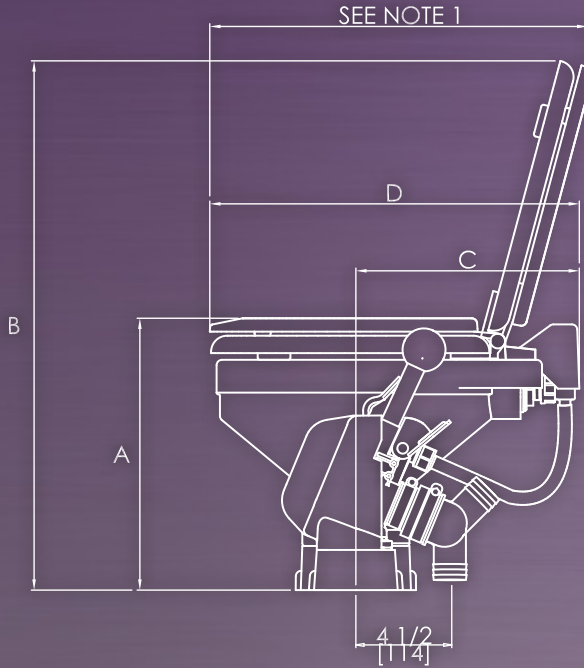


Raritan products are chosen by powerboat, sailboat, houseboat, and RV owners and manufacturers the world over for their dependability, environmental responsibility, simplicity of installation, operation, and maintenance. The product line includes house-hold style toilets, marine toilets, marine sanitation devices and systems, cleaning products, icemakers, water heaters, and rudder angle indicators.

To view our complete line as well as obtain installation and servicing guides: visit www.raritaneng.com

PART NUMBERS:

- 25M00 (Marine size fresh head manual toilet)
- 25H00 (Household size fresh head manual toilet)
- 25M00L (Marine size fresh head manual toilet, left hand operation)
- 25H00L (Household size fresh head manual toilet, left hand operation)



BOWL TYPE	A	B	C	D	E	F
MARINE	13 (330)	24 3/4 (629)	10 3/8 (264)	17 1/4 (438)	17 3/4 (451)	6 1/2 (165)
HOUSEHOLD	13 1/8 (334)	27 7/8 (708)	11 1/2 (292)	20 (508)	18 1/4 (464)	7 (179)

INCHES
(MM)

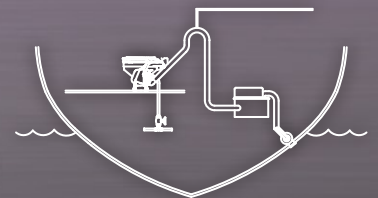
NOTE:
 1. THE SEAT WILL OPEN WITHIN THE DEPTH OF THE BOWL (D), HOWEVER, IT MAY BE DESIRABLE TO INCREASE THIS ANGLE BY ALLOWING MORE ROOM AT THE BACK OF THE BOWL FOR THE SEAT TO OPEN.
 2. DIMENSIONS ARE FOR REFERENCE AS VITREOUS CHINA DIMENSIONS MAY VARY +/- 5%.

SPECIFICATION:

Rinse water for Inlet:
 1/2" FPT
 Maximum pressure 150 PSI(10 bar)
 Minimum 3GPM (11.3 L/min) @ 10 PSI(0.7 bar)

Discharge :
 1 1/2" Hose
 Maximum height 15 feet(4.5 meter)
 Average Water consumption per use: 1 pint (.47L) for liquid, 3/4 G (2.8L) for solid use

Plumbing Typical:



www.RARITANENG.com

Raritan Engineering Company Inc.
 530 Orange Street
 Millville, NJ 08322, USA
 Telephone: 856-825-4900 | Fax: 856-825-4409
 e-mail: info@raritaneng.com

Southern Plant and Office
 3101 SW 2nd Avenue
 Ft. Lauderdale, FL 33315, USA
 Telephone: 954-525-0378 | Fax: 954-764-4370